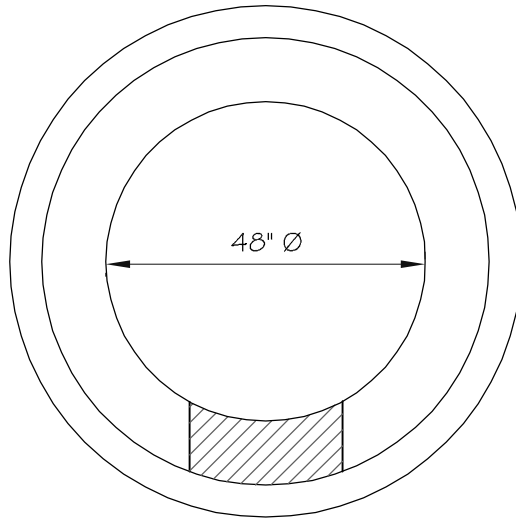
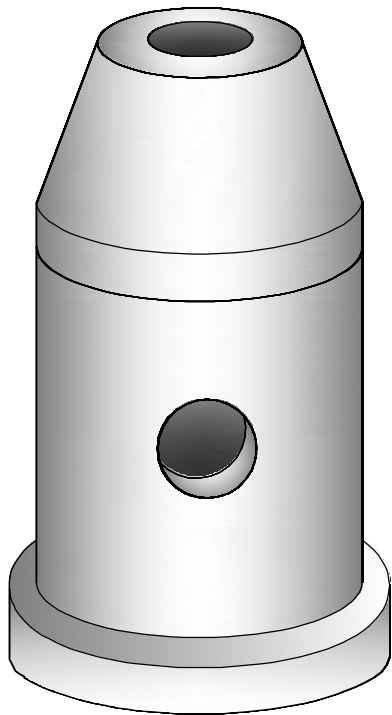


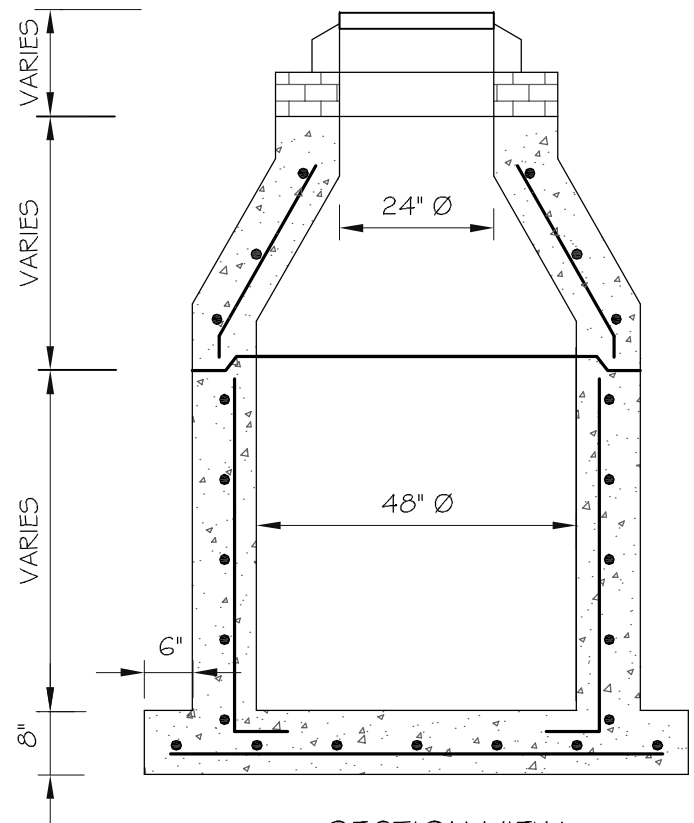
Holding Capacity	Structure Weight	Concrete
94.01 Gals./V.FT	Bot. Slab= 2800 LBS Wall = 1060 LBS./V.FT.	4,000 PSI @ 28 DAYS



Hole Opening Varies
WALL PLAN VIEW



3 DIMENSIONAL VIEW



SECTION VIEW

MANHOLE 48" Ø

www.precastdepot.com

11002 NW South River Drive
Medley, Florida 33178
Phone: 305-259-5956
Fax: 305-885-2534

