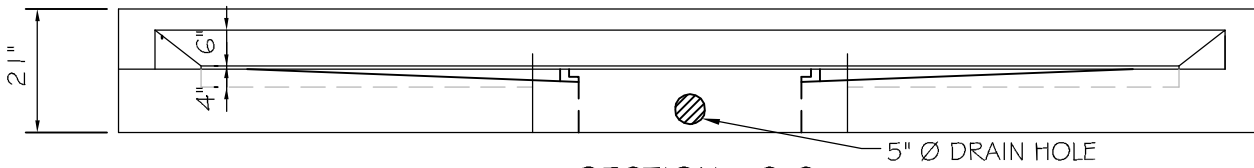
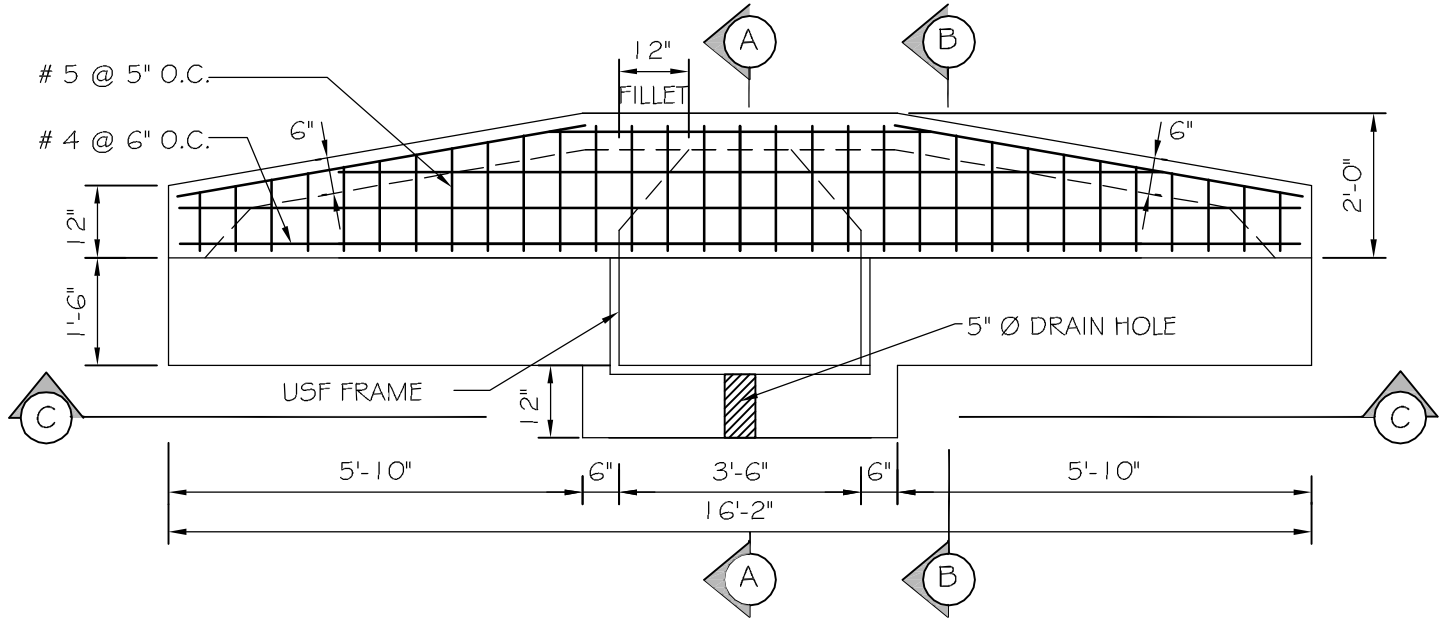
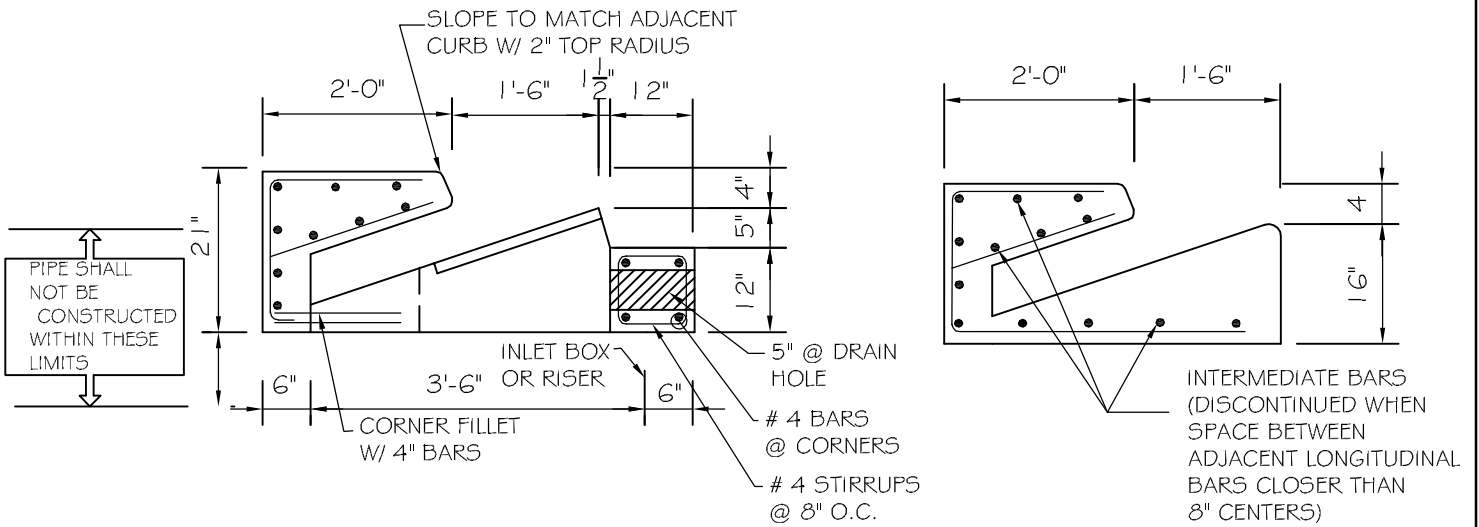


Concrete

4,000 PSI @ 28 DAYS



SECTION C-C



SECTION A-A

SECTION B-B

P-6



www.precastdepot.com

11002 NW South River Drive
Medley, Florida 33178
Phone: 305-259-5956
Fax: 305-885-2534