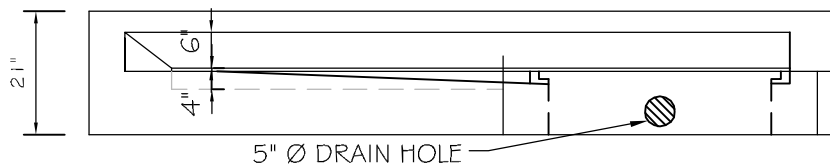
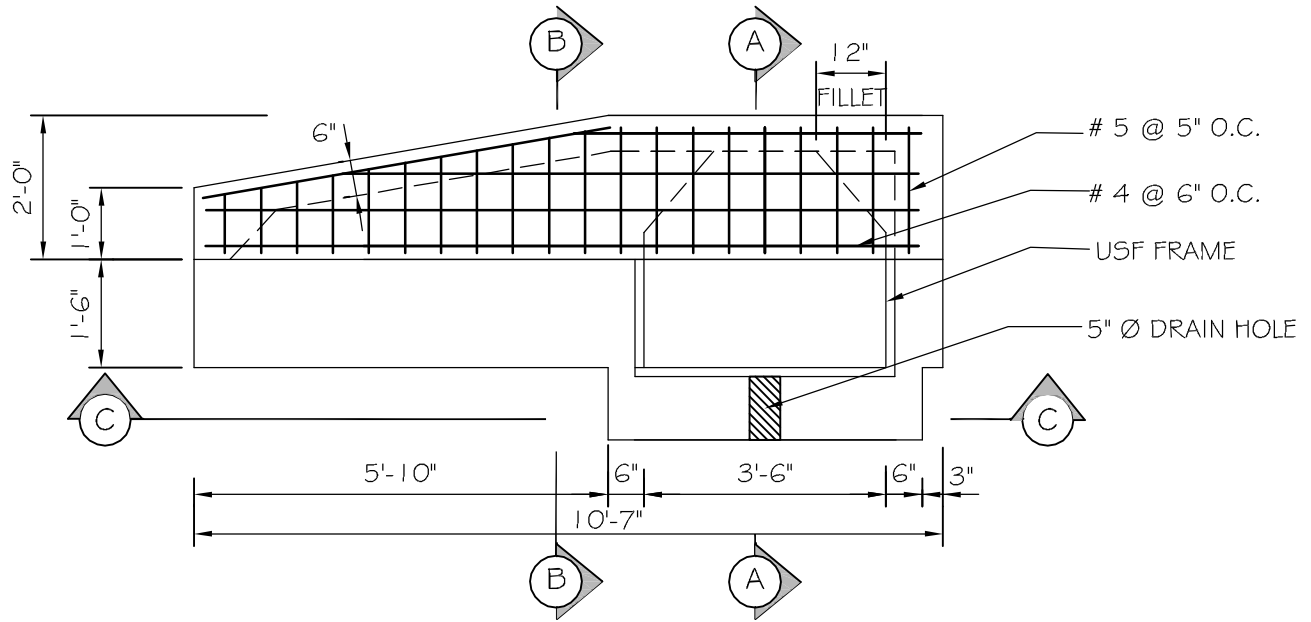
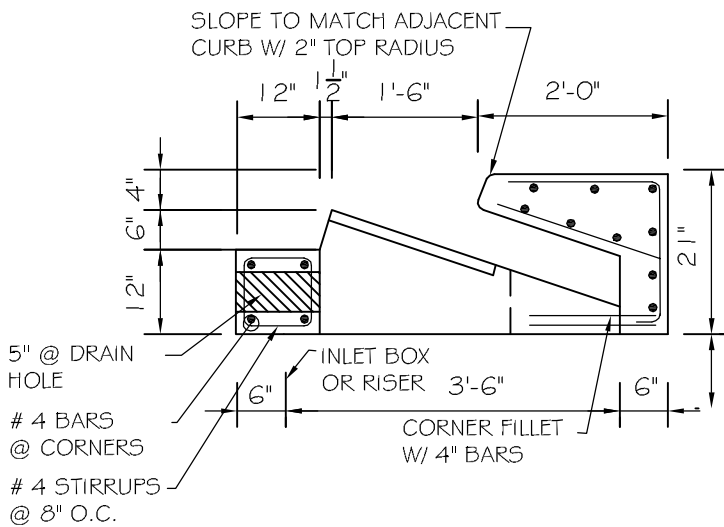


Concrete

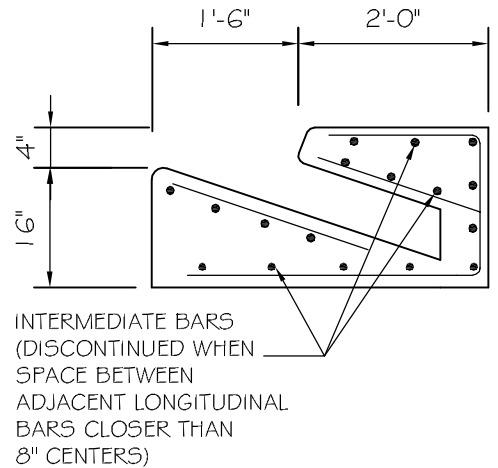
4,000 PSI @ 28 DAYS



SECTION C-C



SECTION A-A



SECTION B-B



P-5 LEFT

www.precastdepot.com

11002 NW South River Drive
Medley, Florida 33178
Phone: 305-259-5956
Fax: 305-885-2534