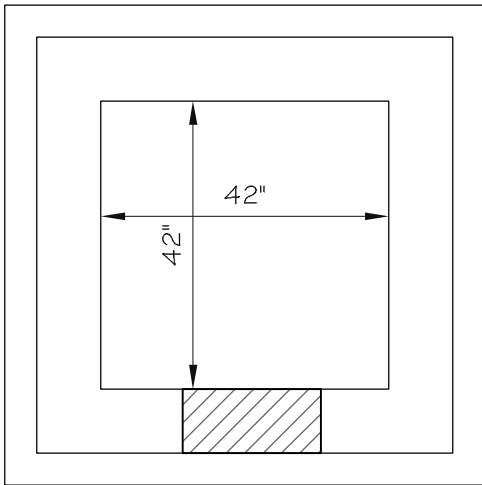
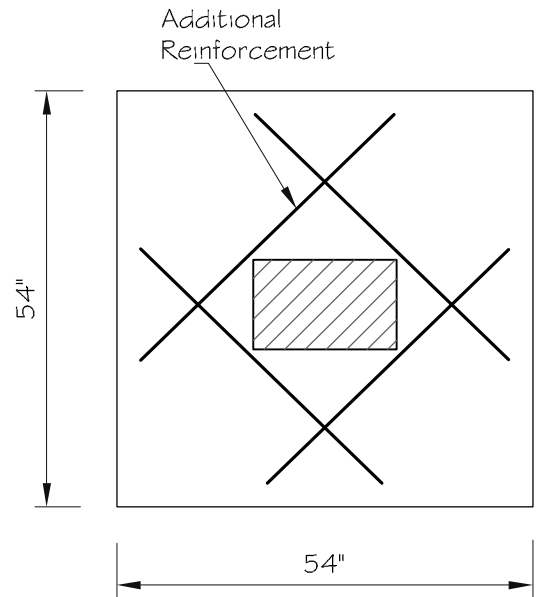


Holding Capacity	Structure Weight	Concrete
91.64 Gals./V.FT	Bot. Slab= 1980 LBS. Wall = 1200 LBS./V.FT. Top Slab= 1680 LBS	4,000 PSI @ 28 DAYS

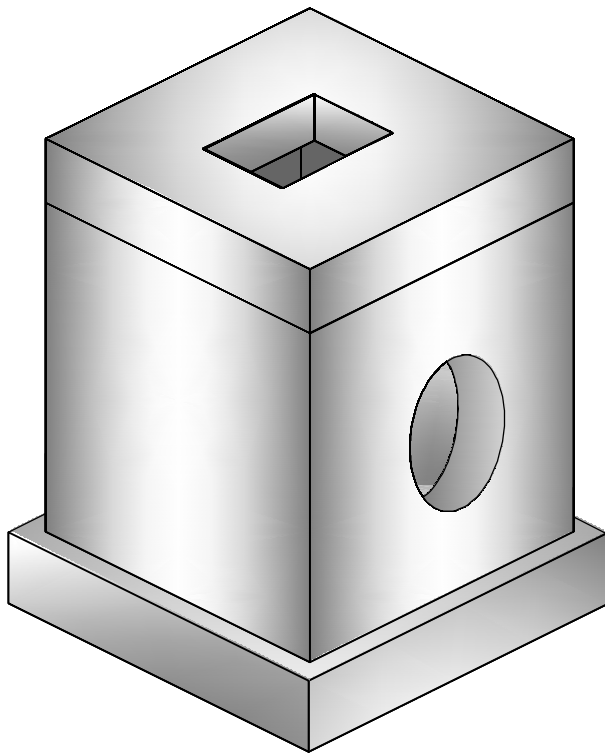


Hole Opening Varies

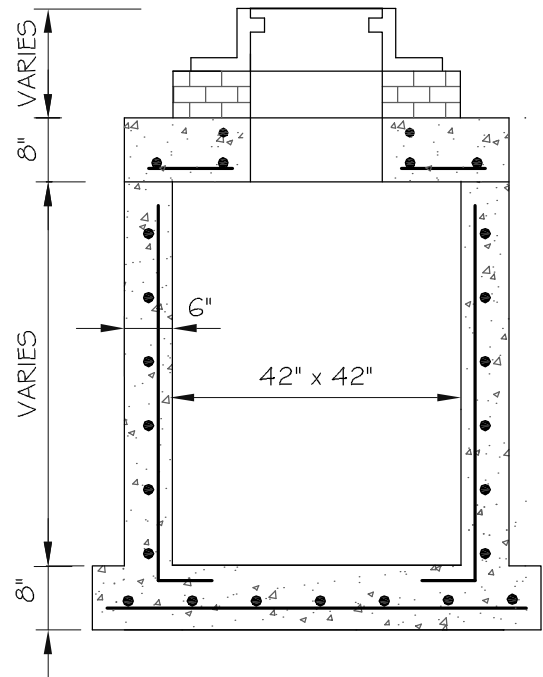
WALL PLAN VIEW



TOP SLAB PLAN VIEW



3 DIMENSIONAL VIEW



SECTION VIEW



CATCH BASIN TYPE 42" x 42"

www.precastdepot.com

11002 NW South River Drive
 Medley, Florida 33178
 Phone: 305-259-5956
 Fax: 305-885-2534