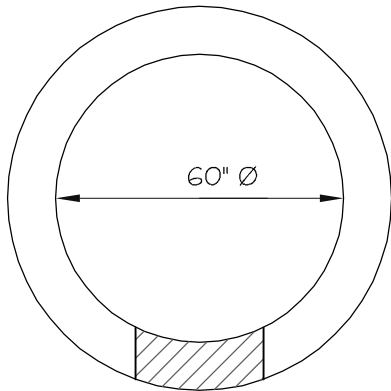
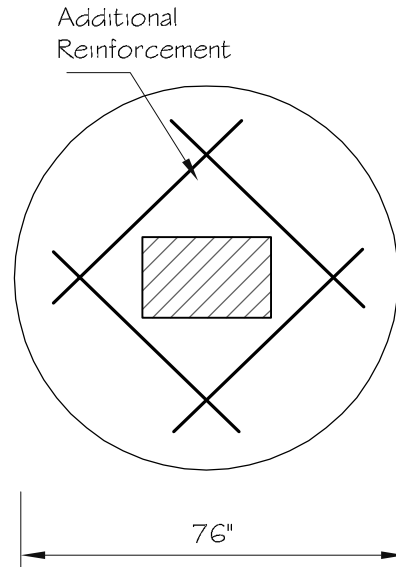


Holding Capacity	Structure Weight	Concrete
146.89 Gals./V.FT	Bot. Slab= 3082 LBS. Wall = 17600 LBS./V.FT. Top Slab 2800 LBS	4,000 PSI @ 28 Days

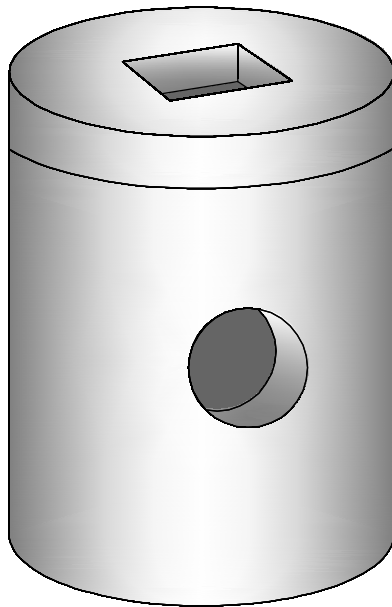


Hole Opening Varies

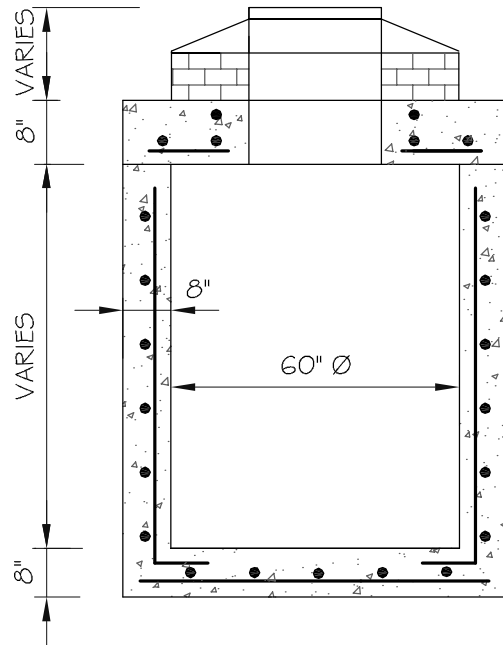
WALL PLAN VIEW



TOP SLAB PLAN VIEW



3 DIMENSIONAL VIEW



SECTION VIEW



CATCH BASIN TYPE D-60 Ø

www.precastdepot.com

11002 NW South River Drive
 Medley, Florida 33178
 Phone: 305-259-5956
 Fax: 305-885-2534